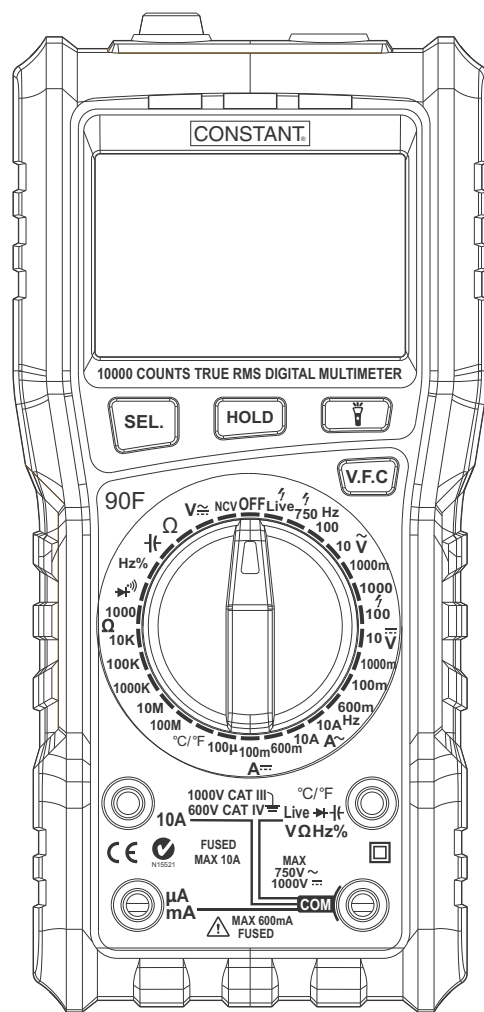


90F

True RMS Digital Multimeter

Function	Range	Accuracy
DC Volts	999.9mV / 9.999V / 99.99V / 999.9V	±(0.5% of rdg + 3 dgts)
AC Volts	999.9mV / 9.999V / 99.99V	±(0.8% of rdg + 3 dgts)
	750.0V	±(1% of rdg + 5 dgts)
DC Amps	99.99µA / 999.9mA / 600mA	±(0.8% of rdg + 3 dgts)
	10A	±(1.2% of rdg + 3 dgts)
AC Amps	99.99mA / 600mA	±(1% of rdg + 3 dgts)
	10A	±(1.5% of rdg + 3 dgts)
Frequency	9.999Hz / 99.99Hz / 999.9Hz /	±(1% of rdg + 3 dgts)
	9.999kHz / 99.99kHz / 999.9kHz /	
	9.999kHz	
Resistance	999.9Ω / 9.999kΩ / 99.99kΩ	±(0.8% of rdg + 3 dgts)
	999.9kΩ / 9.999MΩ	
	99.99MΩ	
Capacitance	9.999nF	±(4.0% of rdg + 30 dgts)
	99.99nF / 999.9nF / 9.999µF /	
	99.99µF / 999.9µF / 9.999mF	
Temperature	-20 ~ 1000°C	±(1.0% of rdg + 3 dgts)
	-4 ~ 1832°F	
NCV	low field	display L, green LED light
	high field	display H, two red LEDs light, alarm



Diode test	shows approximation of diode forward voltage drop
Continuity	beeper on < 15Ω
Display	9999 counts
Indication	over range, negative polarity, low battery
Operating temp.	0 ~ 40°C
Storage temp.	-10 ~ 60°C
Fuse	F 600mA/250V F 10A/250V
Electrical safety	CAT III 1000V
	CAT IV 600V
Power	2 x 1.5V (AA battery)
Size	185 x 88 x 52mm
Weight	350g

Constant Instruments
P.O. BOX 435
Joondalup, W.A. 6919
Australia

For more information :
Email : sales@constantinstruments.com
Website : www.constantinstruments.com

© 2022 Constant Instruments
052022B01
All rights reserved
Specifications subject to change without prior notice.

